

# IndoorSplit

EVAPORATOR FOR INDOOR INSTALLATION  
(AIR TO WATER)

## Modification to IndoorSplit

Designed for heat pumps	Suction / Discharge	Price EUR EXW CZ
<b>BA22IS - 45IS, BA22ISC - 37ISC</b>	1 x $\varnothing$ 400 / 1 x $\varnothing$ 400 mm	<b>on request</b>
<b>EM60Z a EM75Z</b>	2 x $\varnothing$ 400 / 2 x $\varnothing$ 400 mm	<b>on request</b>

## Options

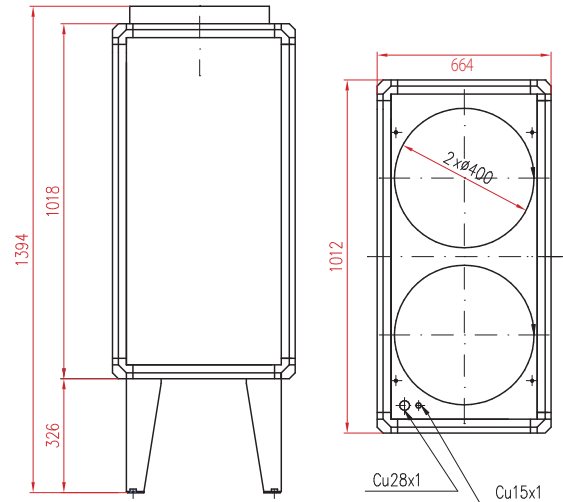
- Grille outside the building, discharge
- Grille outside the building, suction
- Flexi pipe with vapor barrier 10 m,  $\varnothing$  406 mm
- Metal sleeve to the pipe

## Features

- ▶ Split construction
- ▶ Very easy installation, quiet operation
- ▶ Rigid frame from anodized aluminum profile
- ▶ Distance between units up to 15 m
- ▶ Efficient use of space in smaller boiler rooms
- ▶ Doesn't affect the external appearance of the building
- ▶ Absolute elimination of outside noise



Evaporator unit dimensions 1O2645VK



Evaporator unit dimensions 1O6075VK

